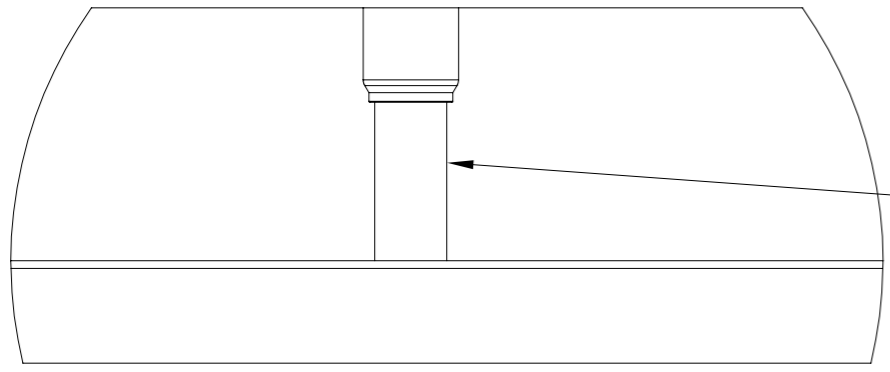


1 2 3 4 5 6 7 8

A  
B  
C  
D  
E  
F

A  
B  
C  
D  
E  
F

NOTE: THE NO-PUNCTURE SENSOR WILL WORK WITH A MAX OF 7" OF TOTAL INSULATION INCLUDING THE COVERBOARD



CORED HOLE

DETAIL VIEW OF CORED HOLE IN INSULATION WITHOUT SENSOR

SENSOR INDICATOR

FACTORY INSTALLED SEAM TAPE

INSTALLED SENSOR BELOW ROOF MEMBRANE

SINGLE PLY ROOF MEMBRANE

SINGLE PLY ROOF PRIMER

INSULATION

DECK SUBSTRATE

VAPOUR BARRIER

7" MAX

Title			
Sensor Installed In New Roofing In Insulation Only			
Rev.	Date of issue	Sheet	
NO-PUNCTURE ROOF DIAGNOSTICS INC 1.1	05/16/2024	1/1	

1 2 3 4 5 6 7 8