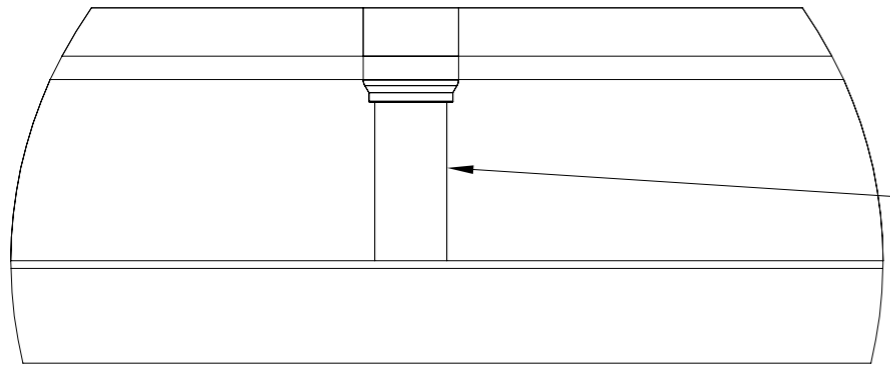


1 2 3 4 5 6 7 8

A
B
C
D
E
F

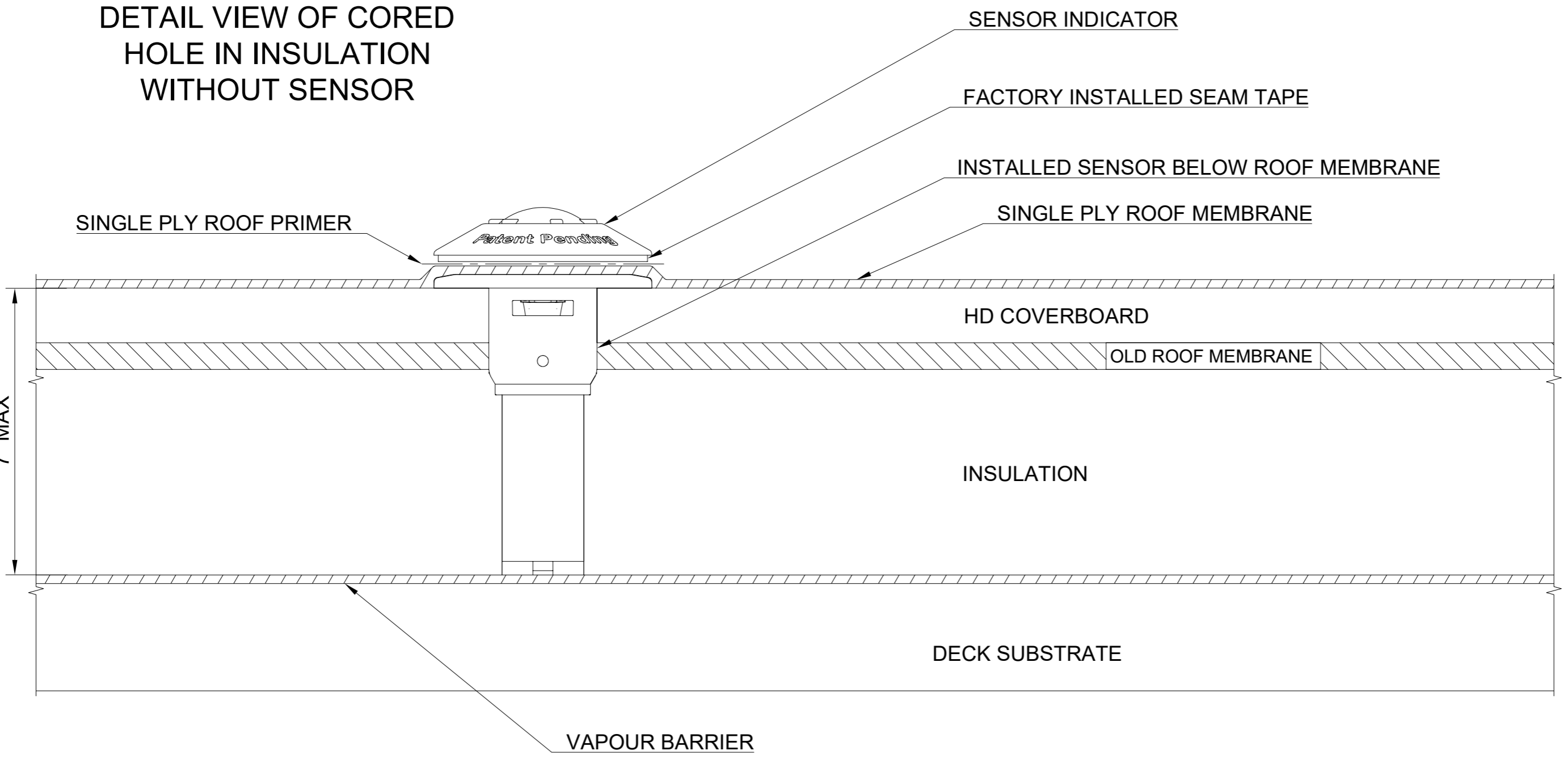
A
B
C
D
E
F

NOTE: THE NO-PUNCTURE SENSOR WILL WORK WITH A MAX OF 7" OF TOTAL INSULATION INCLUDING THE COVERBOARD



CORED HOLE

DETAIL VIEW OF CORED HOLE IN INSULATION WITHOUT SENSOR



SENSOR INDICATOR

FACTORY INSTALLED SEAM TAPE

INSTALLED SENSOR BELOW ROOF MEMBRANE

SINGLE PLY ROOF MEMBRANE

HD COVERBOARD

OLD ROOF MEMBRANE

INSULATION

DECK SUBSTRATE

VAPOUR BARRIER

7" MAX

SINGLE PLY ROOF PRIMER

Title			
Sensor Installed In a Re-Cover roof system			
Rev.	Date of issue	Sheet	
NO-PUNCTURE ROOF DIAGNOSTICS INC 1.1	05/16/2024	1/1	

1 2 3 4 5 6 7 8