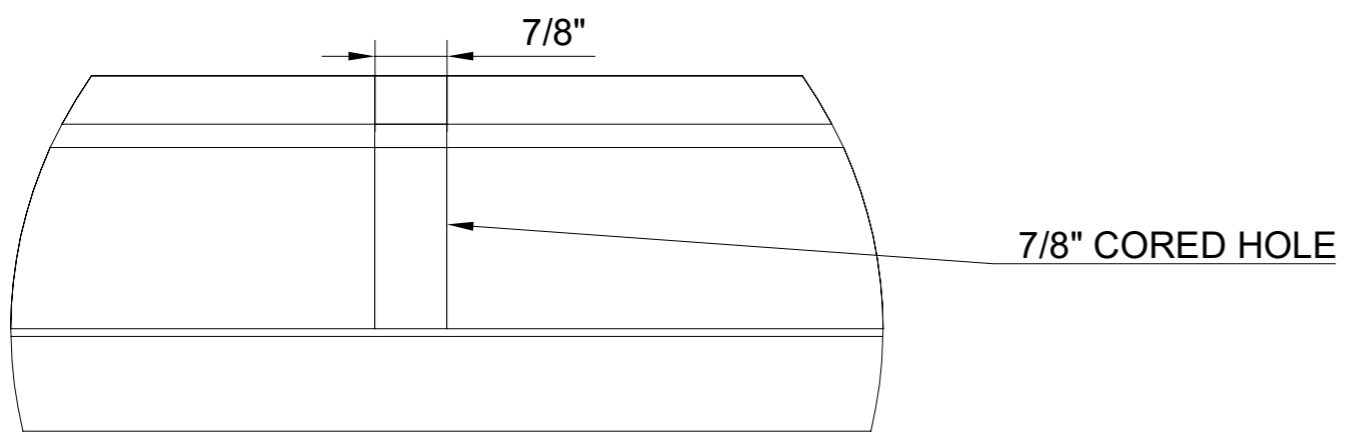


1 2 3 4 5 6 7 8

A
B
C
D
E
F

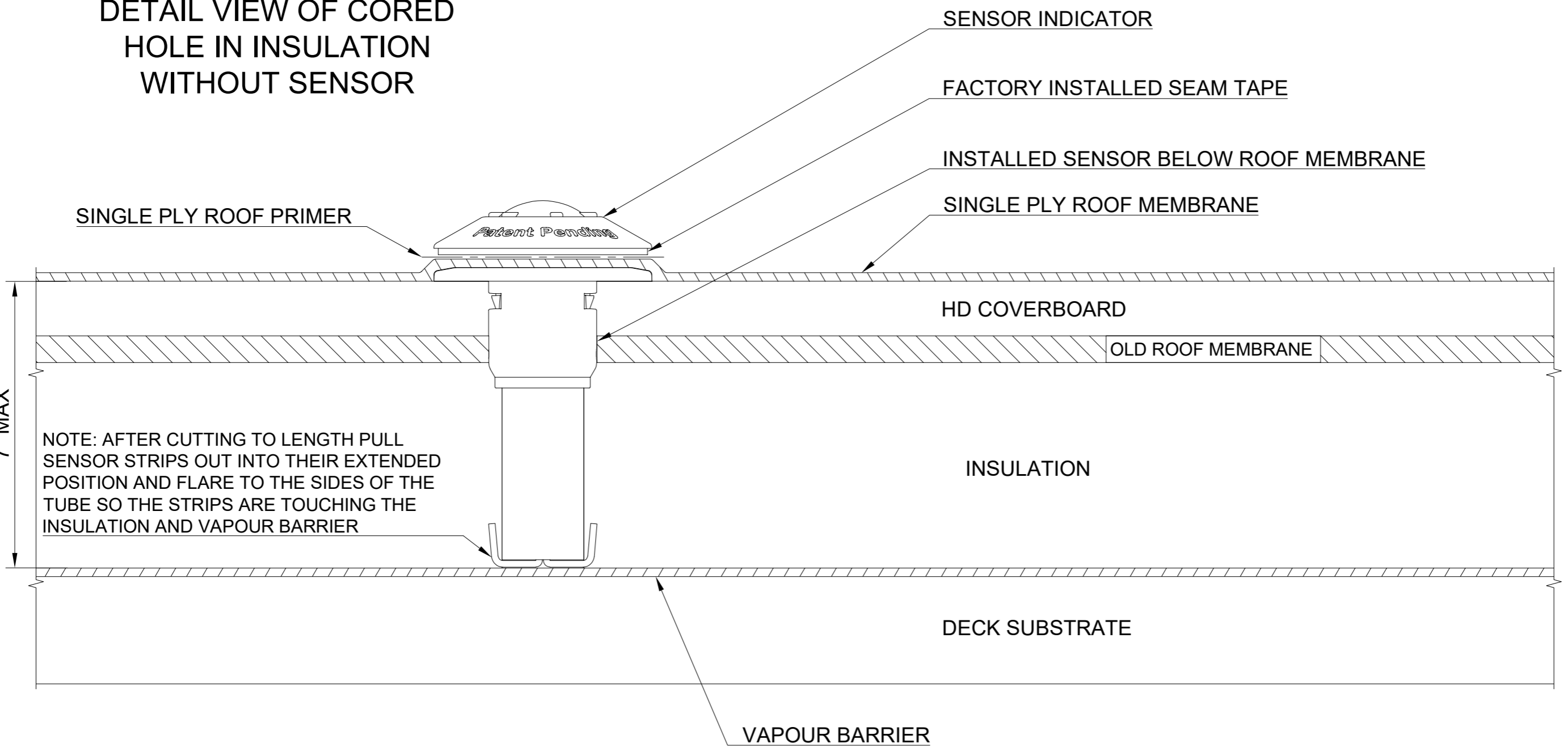
A
B
C
D
E
F

NOTE: THE NO-PUNCTURE SENSOR WILL WORK WITH A MAX OF 7" OF TOTAL INSULATION INCLUDING THE COVERBOARD



DETAIL VIEW OF CORED HOLE IN INSULATION WITHOUT SENSOR

7/8" CORED HOLE



SENSOR INDICATOR

FACTORY INSTALLED SEAM TAPE

INSTALLED SENSOR BELOW ROOF MEMBRANE

SINGLE PLY ROOF MEMBRANE

SINGLE PLY ROOF PRIMER

HD COVERBOARD

OLD ROOF MEMBRANE

INSULATION

DECK SUBSTRATE

VAPOUR BARRIER

7" MAX

NOTE: AFTER CUTTING TO LENGTH PULL SENSOR STRIPS OUT INTO THEIR EXTENDED POSITION AND FLARE TO THE SIDES OF THE TUBE SO THE STRIPS ARE TOUCHING THE INSULATION AND VAPOUR BARRIER

Title
No-Puncture (RMMS) Long Reach Sensor for Single Ply Membrane
Installed in a Re-Cover Roof System

NO-PUNCTURE ROOF DIAGNOSTICS INC	Rev. 1.2	Date of issue 05/22/2024	Sheet 1/1
----------------------------------	----------	--------------------------	-----------

1 2 3 4 5 6 7 8