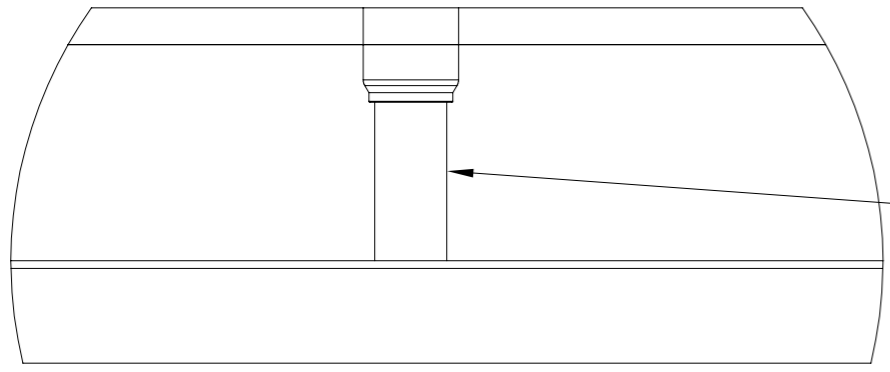


1 2 3 4 5 6 7 8

A
B
C
D
E
F

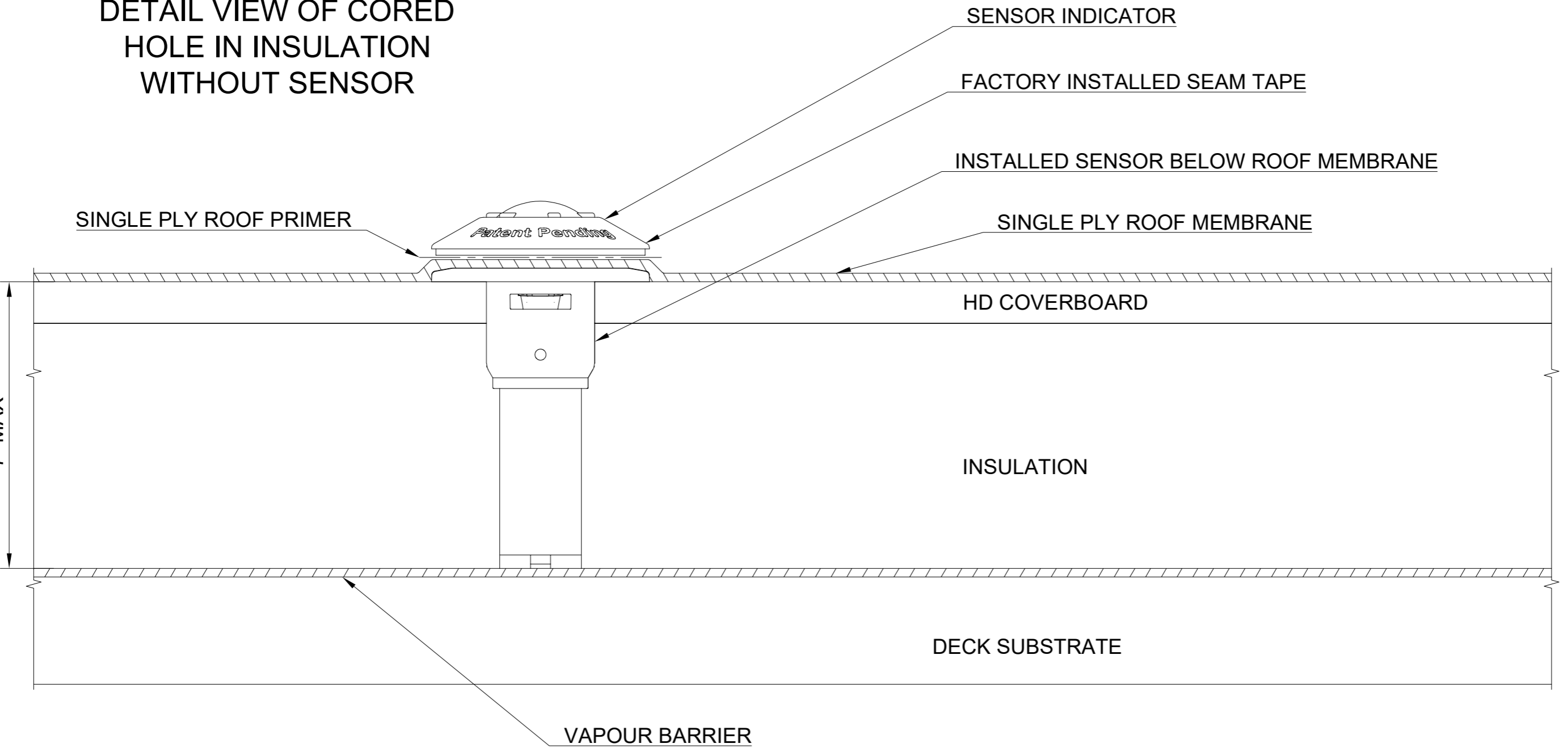
A
B
C
D
E
F

NOTE: THE NO-PUNCTURE SENSOR WILL WORK WITH A MAX OF 7" OF TOTAL INSULATION INCLUDING THE COVERBOARD



CORED HOLE

DETAIL VIEW OF CORED HOLE IN INSULATION WITHOUT SENSOR



SENSOR INDICATOR

FACTORY INSTALLED SEAM TAPE

INSTALLED SENSOR BELOW ROOF MEMBRANE

SINGLE PLY ROOF MEMBRANE

HD COVERBOARD

INSULATION

DECK SUBSTRATE

VAPOUR BARRIER

SINGLE PLY ROOF PRIMER

7" MAX

Patent Pending

Title			
Sensor Installed In New Roofing With Insulation and Coverboard			
Rev.	Date of issue	Sheet	
NO-PUNCTURE ROOF DIAGNOSTICS INC 1.1	05/16/2024	1/1	

1 2 3 4 5 6 7 8